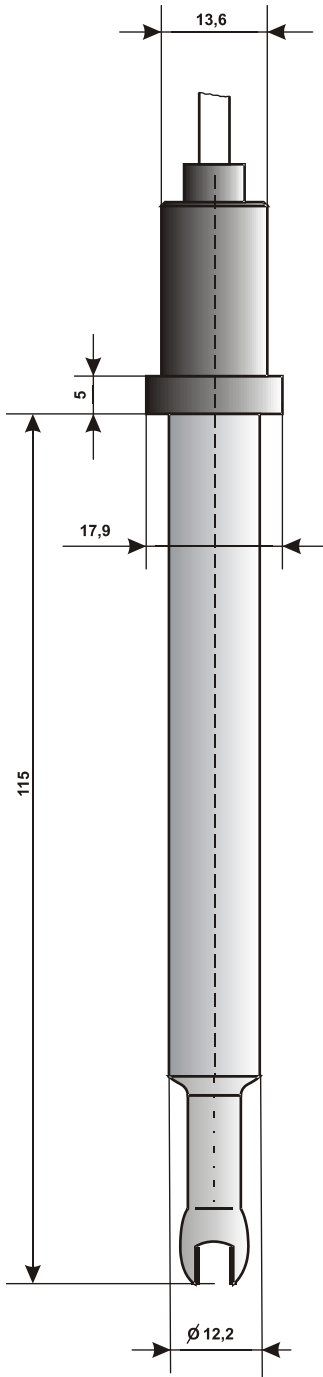
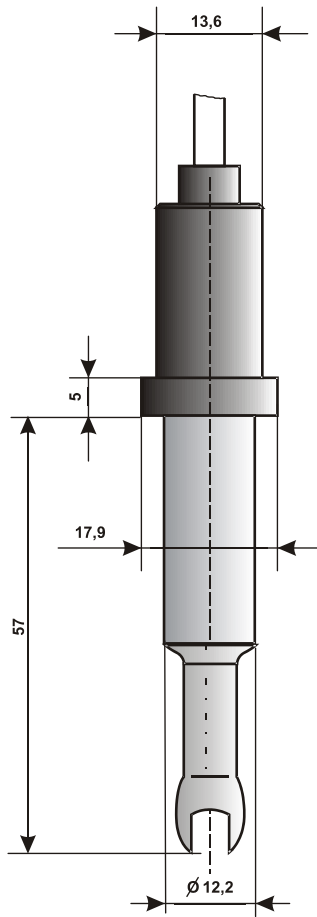


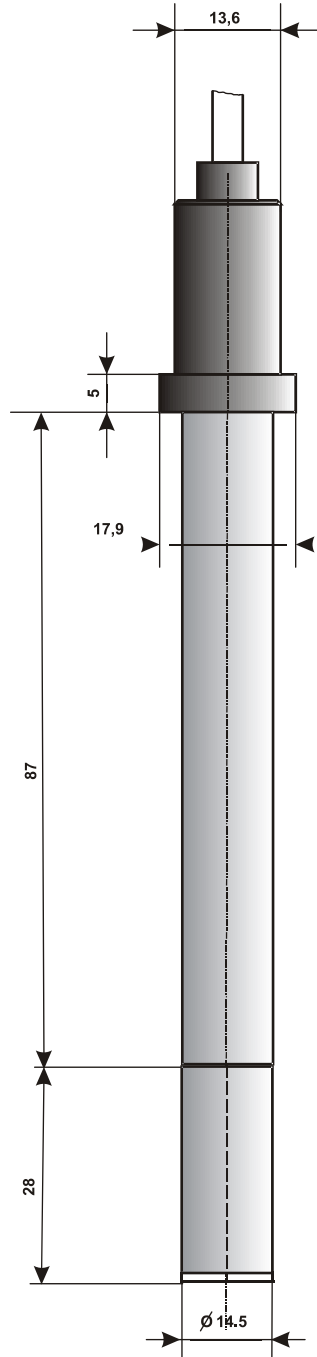
PROCESS CONDUCTIVITY SENSORS



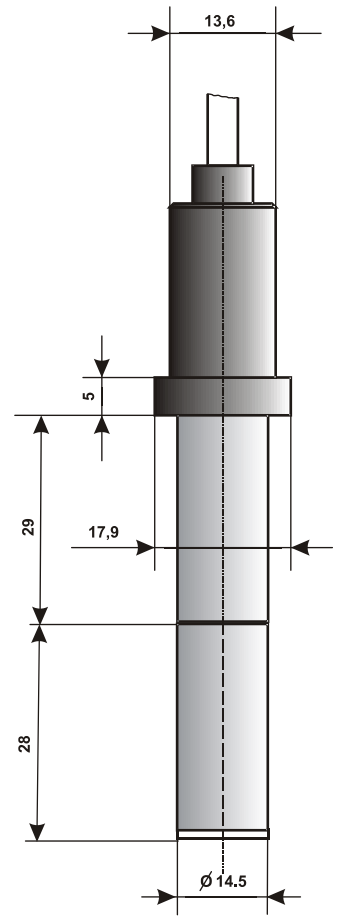
**C 21
C 29**



**C 21K
C 29K**



CS 21L



CS 21K

DIMENSIONS IN mm