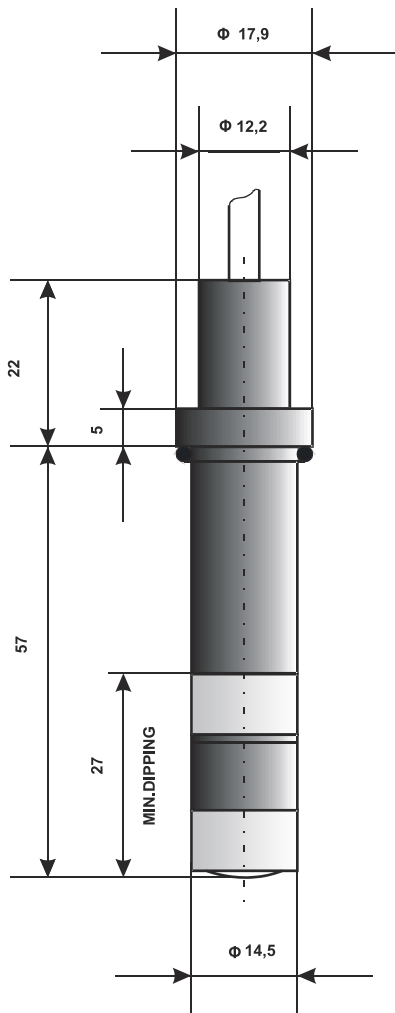
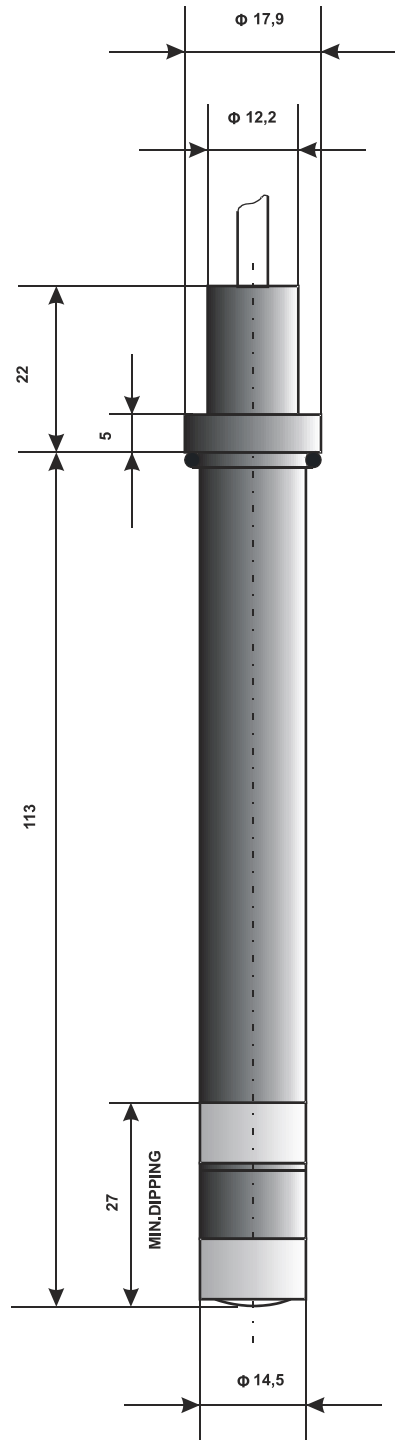


# PROCESS OZONE SENSORS



**CSZT 43PS-R**

DIMENSIONS IN mm



**CSZT 43PL-R**