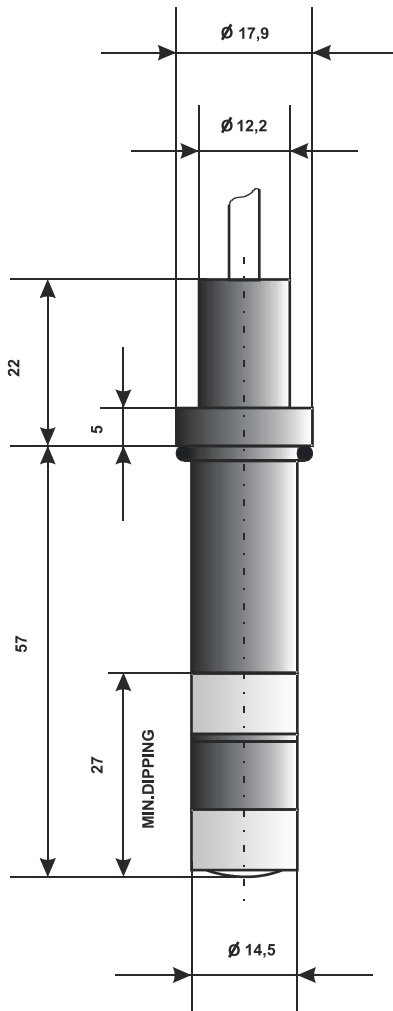
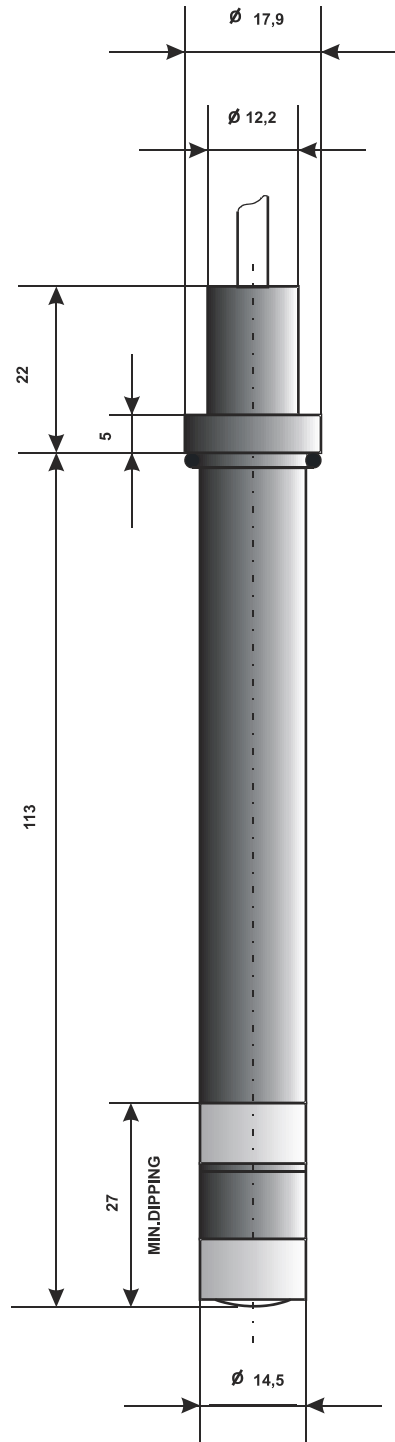


CHLORINE-DIOXIDE SENSORS



CSDT 43PS

DIMENSIONS IN mm



CSDT 43PL